



A/27/E Miniature Piezoelectric Accelerometer

2pC/g nom. 1.8gm Std temp 200°C

Sub-miniature teardrop charge output accelerometer. Manufactured in Titanium and features an all welded construction for a robust build. Using the DJB unique Konic shear sensing element the low mass of the A/27/E renders it transparent in the vast majority of light weight structure vibration measurement applications.

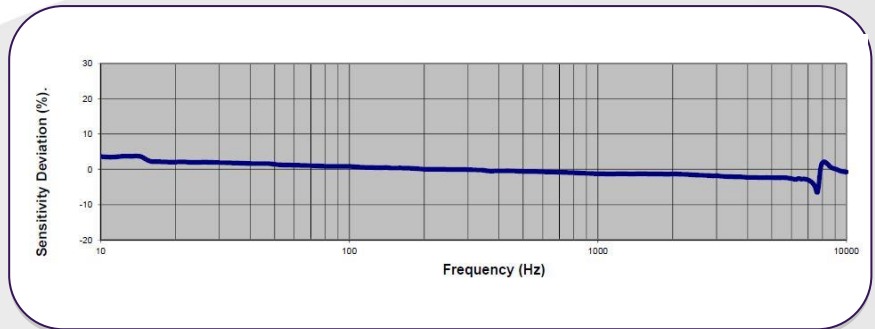
The A/27/E is adhesive mounted. A detachment tool is provided to shear adhesive joints. Shock removal is to be avoided as being deleterious to the integrity of the transducer.

Abrasive cleaning of the attachment face will reduce base thickness over time; sparing use of adhesive will aid longevity and data accuracy.

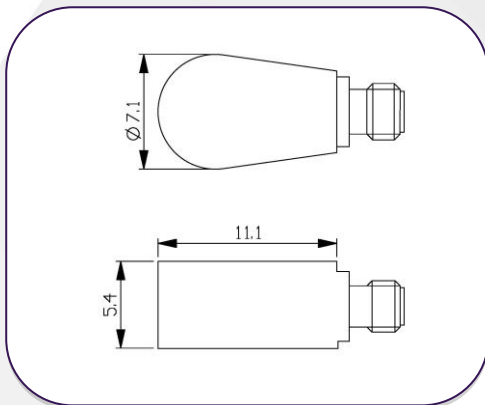
All welded hermetically sealed construction.

M3.5KP miniature microdot connector.

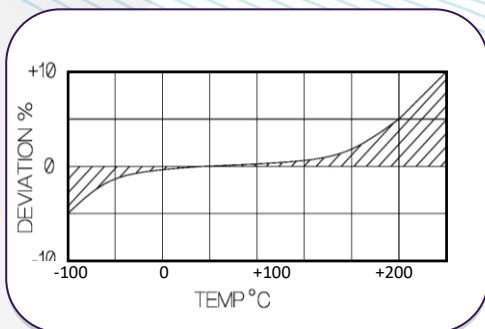
Typical Frequency Response



A/27/E



Temperature Response



	Metric	Imperial
Charge Sensitivity nom.	0.20pC/(m/s ²)	2pC/g
Resonant Frequency KHz	≈50	≈50
Capacitance pF	270	270
Cross Axis error % max	5	5
Temperature Range	-50/ +200°C	-58/ +392°F
Charge sensitivity deviation re 20 °C	-5% @ - 50 °C +5% @ + 302 °C +10% @ + 200°C	-5% @ - 58°F +5% @ + 576°F +10% @ + 392°F
Frequency Response ±5%	0.7Hz – 10kHz	0.7Hz – 10kHz
Maximum Continuous g level sine	49,033m/s ²	5000g
Max Shock g level, rise time μs	98100m/s ² , 20	10000g, 20
Connector	M3.5KP Miniature Microdot	M3.5KP Miniature Microdot
L.F, Corner frequency, Hz	0.2	0.2
Case Material	Titanium	Titanium
Mounting	Adhesive	Adhesive
Weight	1.8gm	0.06oz
Size	11.1 x 7.1 x 5.4mm	0.44 x 0.28 x 0.21in

DJB Instruments (UK) Ltd

Finchley Avenue,
Mildenhall, Suffolk IP28 7BG

A UK company with UK-based manufacturing, assembly and calibration in-house.

Tel +44 (0)1638 712 288
Email sales@djbinstruments.com
Web www.djbinstruments.com

DJB Iss.2

