

A/120/CR Calibration Reference Piezoelectric Voltage Accelerometer

10mV/g or 100mV/g ±10% 24gm Std temp 125°C



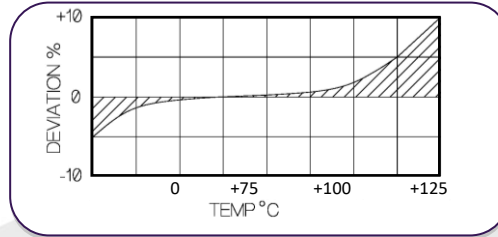
General purpose Konic Shear IEPE accelerometer for use as a reference device in calibration or validation checks. Requiring a constant current supply. With a standard 10/32 tapped thread in the top of the accelerometer this allows back to back calibration of other accelerometers ensuring both devices operate along the same axis.

Available with a range of stud adaptors to allow the connection of numerous types of accelerometer to the integral 10-32 UNF tapped hole.

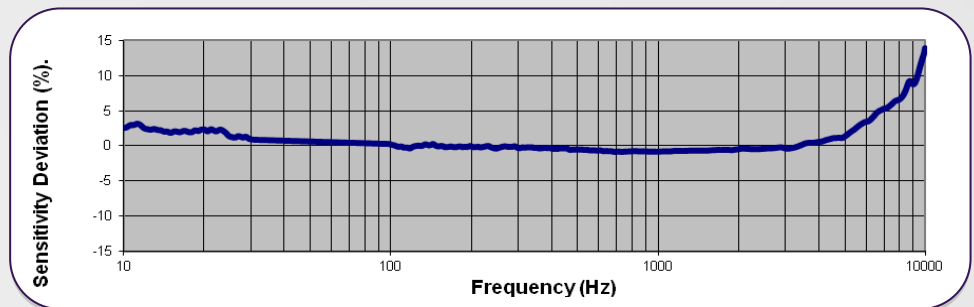
The A/120CR can be supplied in a range of different sensitivities to suit your requirement.

Please let our sales team know the stud size and sensitivity you require when ordering.

Temperature Response

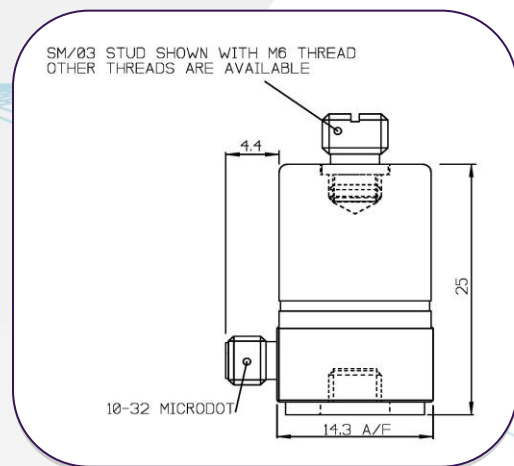


Typical Frequency Response



Note:

Voltage sensitivities shown are standard. We offer a wide range of sensitivities on request, and recommend that applications are evaluated to determine the requisite sensitivity.



	Metric	Imperial
Voltage/Charge Sensitivity ±10%	1.0mV/(m/s ²) or 10.2mV/(m/s ²)	10mV/g or 100mV/g
Resonant frequency KHz	28	28
Typical Frequency Response	1Hz - 8KHz ±5% 1Hz - 10KHz ±10%	1Hz - 8KHz ±5% 1Hz - 10KHz ±10%
Cross axis error % max	5	5
Temperature range	-50/+125°C	-58/+257°F
Charge sensitivity deviation re 20°C/68°F	-5% @ -50°C +5% @ +125°C	-5% @ -58°F +5% @ +257°F
Max continuous accn. g sine	9,807m/s ²	1000g
Supply voltage V DC	15/35	15/35
Supply Current mA	2/15	2/15
Bias voltage V DC (20.C)	8.5/9.5	8.5/9.5
Setting time to 90% final val. Secs	<1	<1
Case material	Stainless steel 303 S31 or Titanium	Stainless steel 303 S31 or Titanium
Mounting	Base tapped hole, 10-32 UNF x 4mm deep	Base tapped hole, 10-32 UNF x 0.16in deep
Weight	24g	0.85oz
Connector	10-32 UNF Microdot	10-32 UNF Microdot
Case Seal	Welded hermetic connector	Welded hermetic connector
Size	14.3 (A/F) x 25mm	0.56 (A/F) x 0.98in